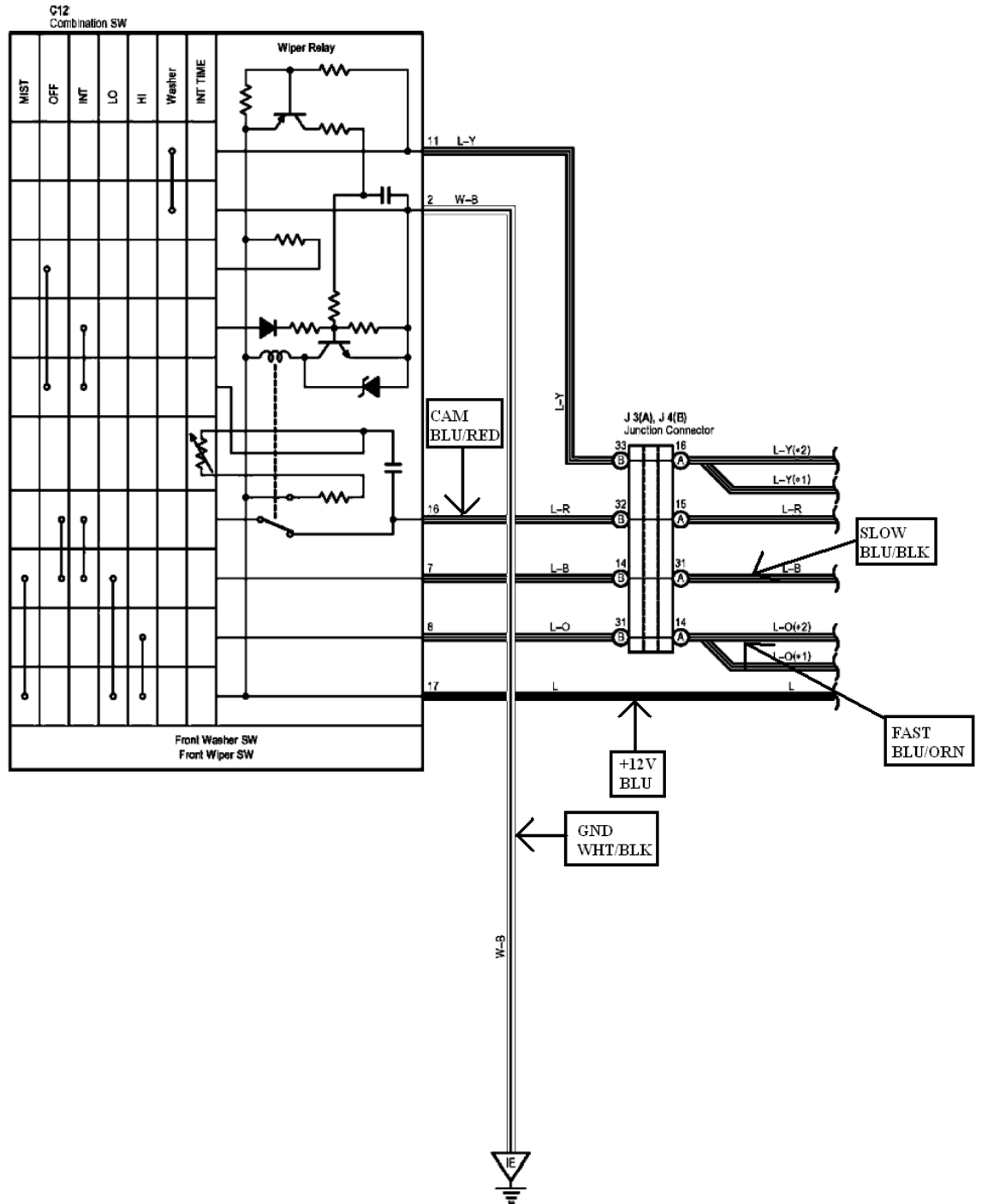


## Front Wiper and Washer



**HOT SIDE SWITCHING**  
 WIPERS RUN WHEN 12V APPLIED TO  
 WIPER MOTOR SLOW OR FAST TERMINALS.  
 MOTOR COMMON AT GROUND.