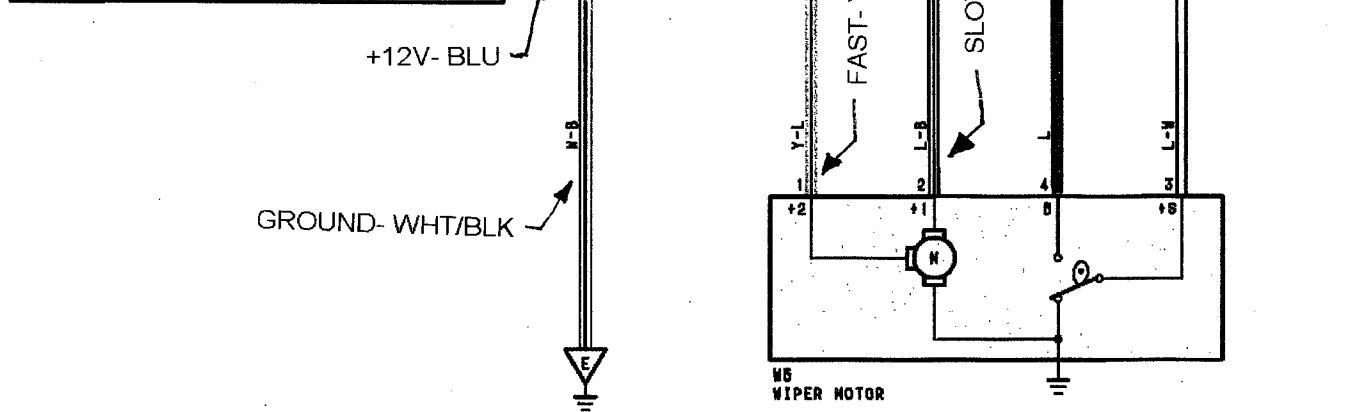
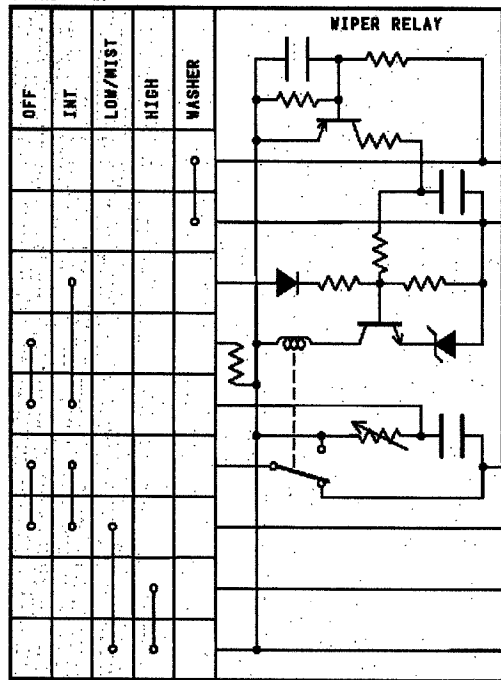


C18

WIPER AND WASHER SW(W/ WIPER RELAY)
(COMB. SW)



Front Wiper And Washer

HOT SIDE SWITCHING

WIPERS RUN WHEN 12V APPLIED TO WIPER MOTOR SLOW OR FAST TERMINALS. MOTOR COMMON AT GROUND.

RainTracker™
VEHICLE INTERFACE
WIRING DIAGRAM