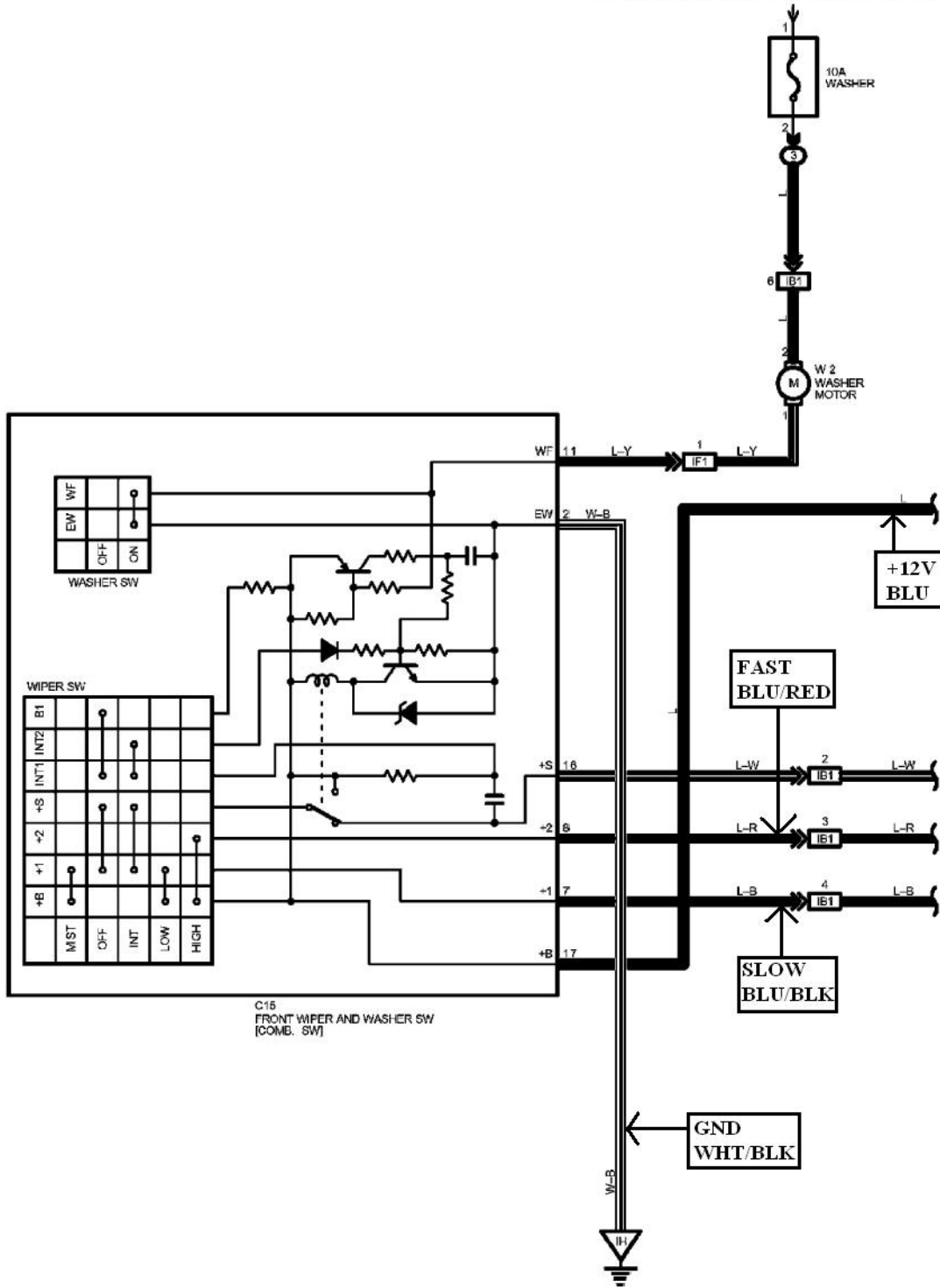


FROM POWER SOURCE SYSTEM (SEE POWER DISTRIBUTION DIAGRAMS)



HOT SIDE SWITCHING

WIPERS RUN WHEN 12V APPLIED TO WIPER MOTOR SLOW OR FAST TERMINALS. MOTOR COMMON AT GROUND.