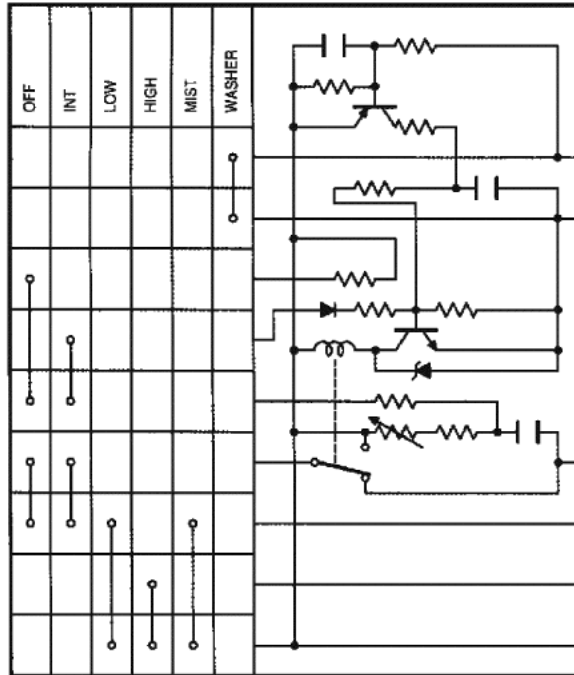


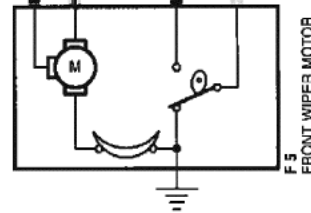
- \* 1 : W/O DAYTIME RUNNING LIGHT
- \* 2 : W/ DAYTIME RUNNING LIGHT
- \* 3 : W/ WASHER LEVEL WARNING LIGHT

C15  
FRONT WIPER AND WASHER SW  
[COMB. SW]



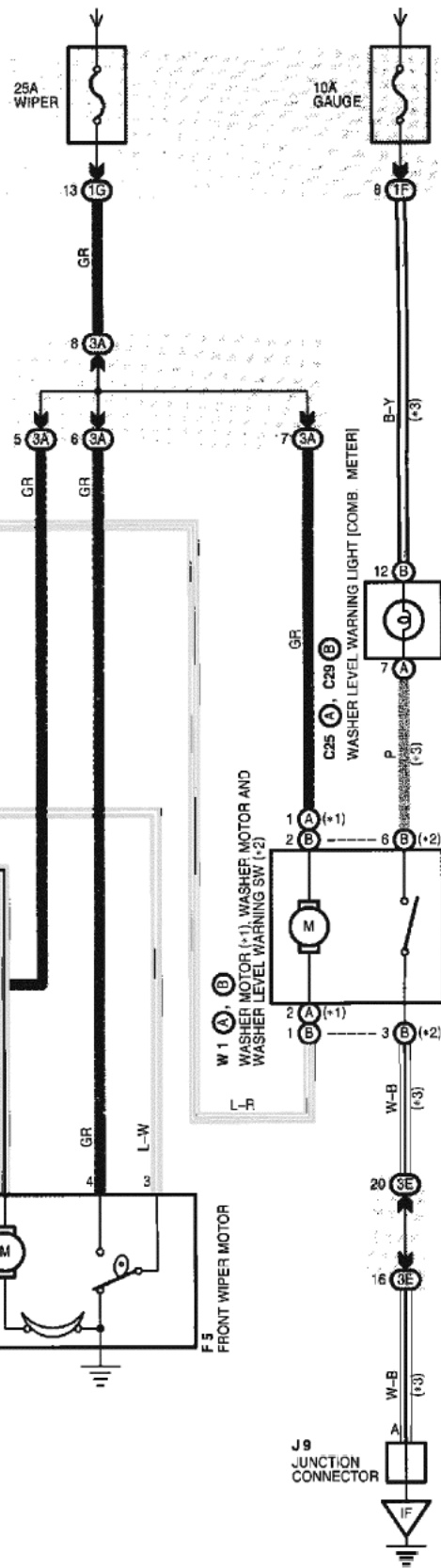
Fast LT-GRN  
Slow BLU/BLK  
+12v GRN  
Ground WHT/BLK

J4  
JUNCTION  
CONNECTOR



J9  
JUNCTION  
CONNECTOR

FROM POWER SOURCE SYSTEM



**HOT SIDE SWITCHING**

WIPERS RUN WHEN 12V APPLIED TO WIPER MOTOR SLOW OR FAST TERMINALS. MOTOR COMMON AT GROUND.

**RainTracker™**  
**VEHICLE INTERFACE**  
**WIRING DIAGRAM**

© 2004 OPTO-ELECTRONIC DESIGN, INC