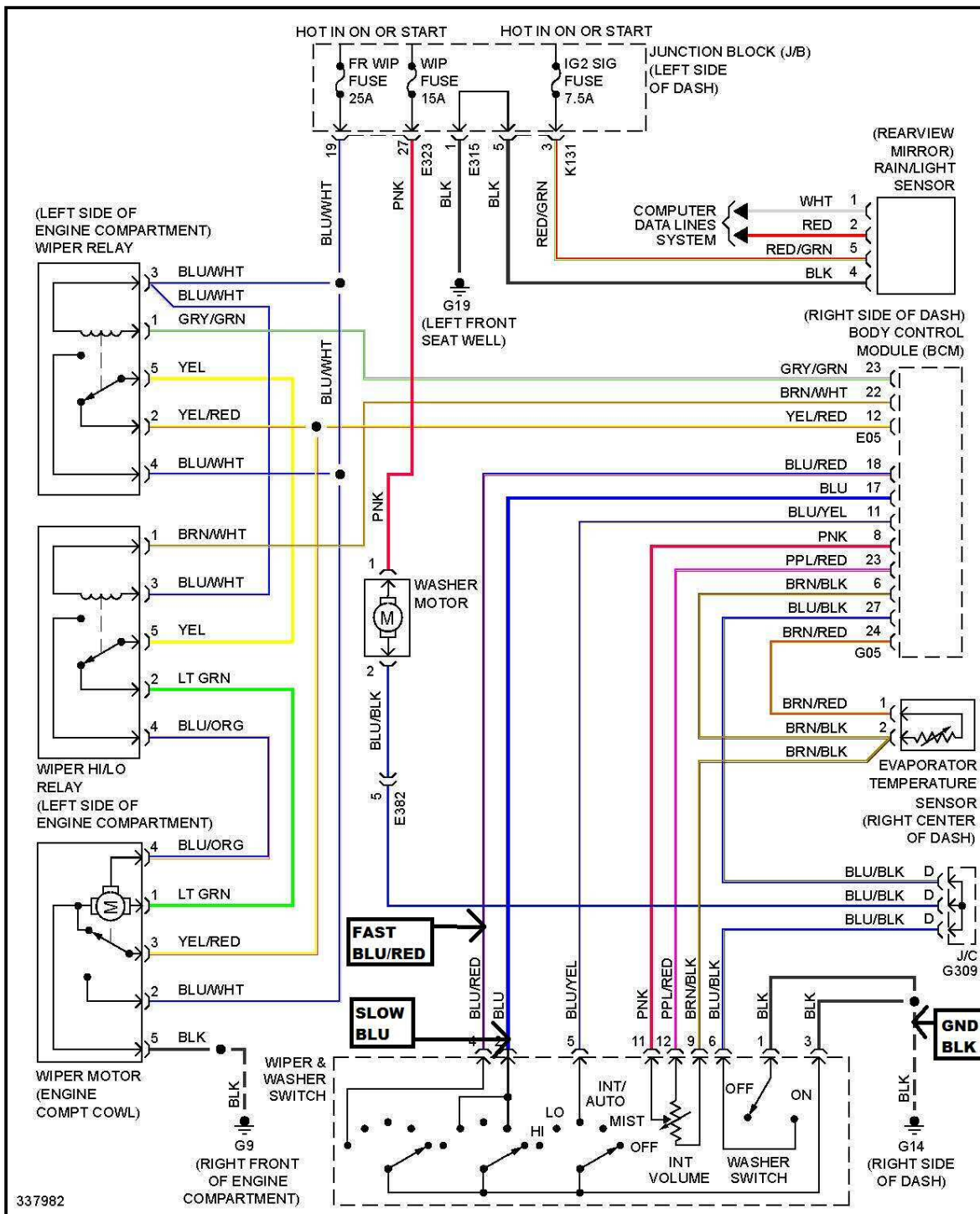


2010 Suzuki Kizashi GTS

2010 SYSTEM WIRING DIAGRAMS Suzuki - Kizashi



GROUND SIDE SWITCHING
 WIPERS RUN WHEN GROUND APPLIED TO
 WIPER MOTOR SLOW OR FAST TERMINALS.
 MOTOR COMMON AT +12V.