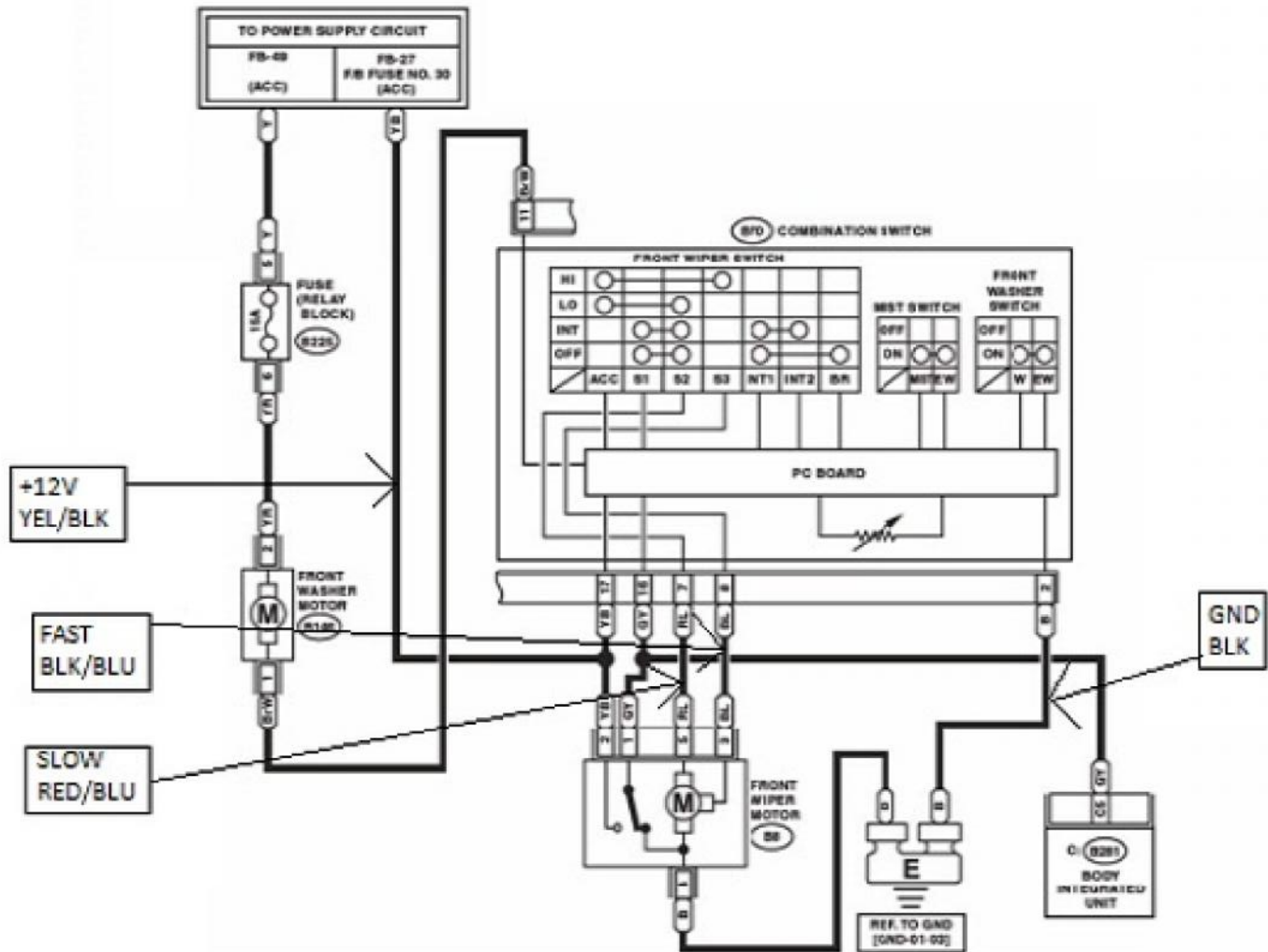


Front Wiper and Washer System



RainTracker™
 VEHICLE INTERFACE
 WIRING DIAGRAM

HOT SIDE SWITCHING
 WIPERS RUN WHEN 12V APPLIED TO
 WIPER MOTOR SLOW OR FAST TERMINALS.
 MOTOR COMMON AT GROUND.