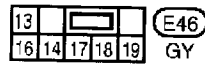
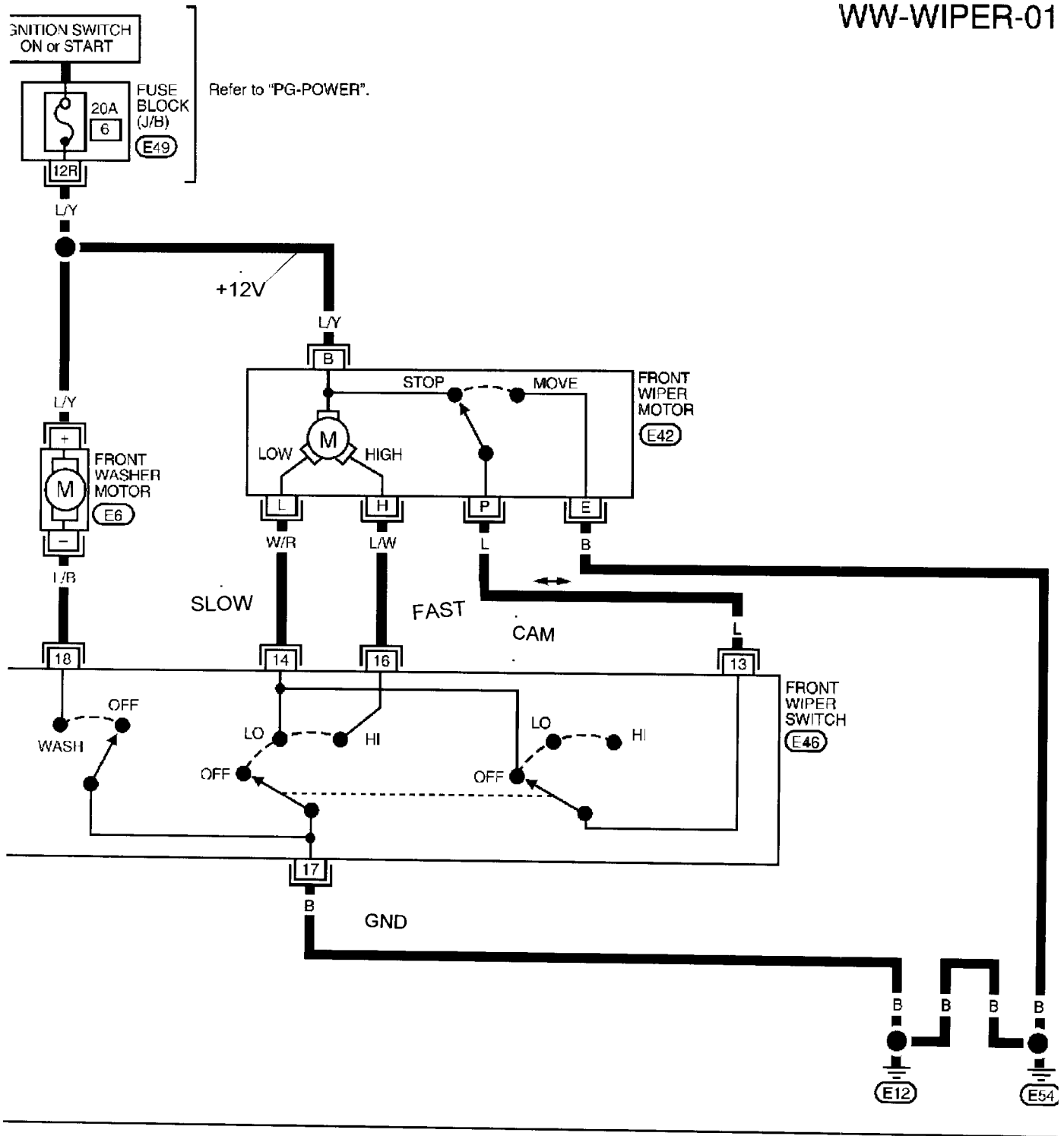


GROUND SIDE SWITCHING
 WIPERS RUN WHEN GROUND APPLIED TO WIPER MOTOR SLOW OR FAST TERMINALS. MOTOR COMMON AT +12V.

RainTracker™
VEHICLE INTERFACE
WIRING DIAGRAM
 © 2004 OPTO-ELECTRONIC DESIGN, INC



GROUND SIDE SWITCHING

WIPERS RUN WHEN GROUND APPLIED TO WIPER MOTOR SLOW OR FAST TERMINALS. MOTOR COMMON AT +12V.

RainTracker™
VEHICLE INTERFACE
WIRING DIAGRAM