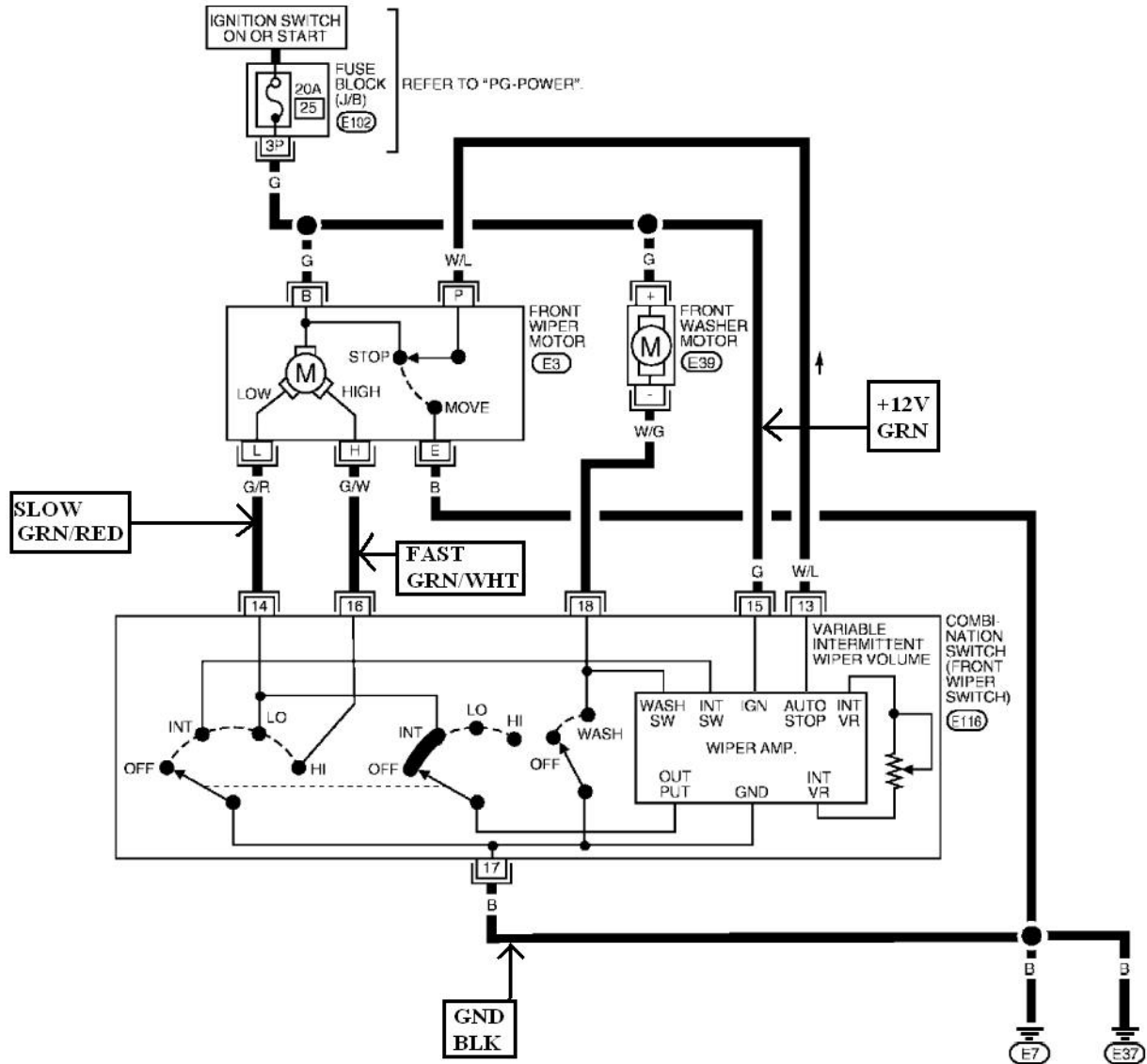


WITH INTERMITTENT WIPERS



GROUND SIDE SWITCHING
 WIPERS RUN WHEN GROUND APPLIED TO
 WIPER MOTOR SLOW OR FAST TERMINALS.
 MOTOR COMMON AT +12V.