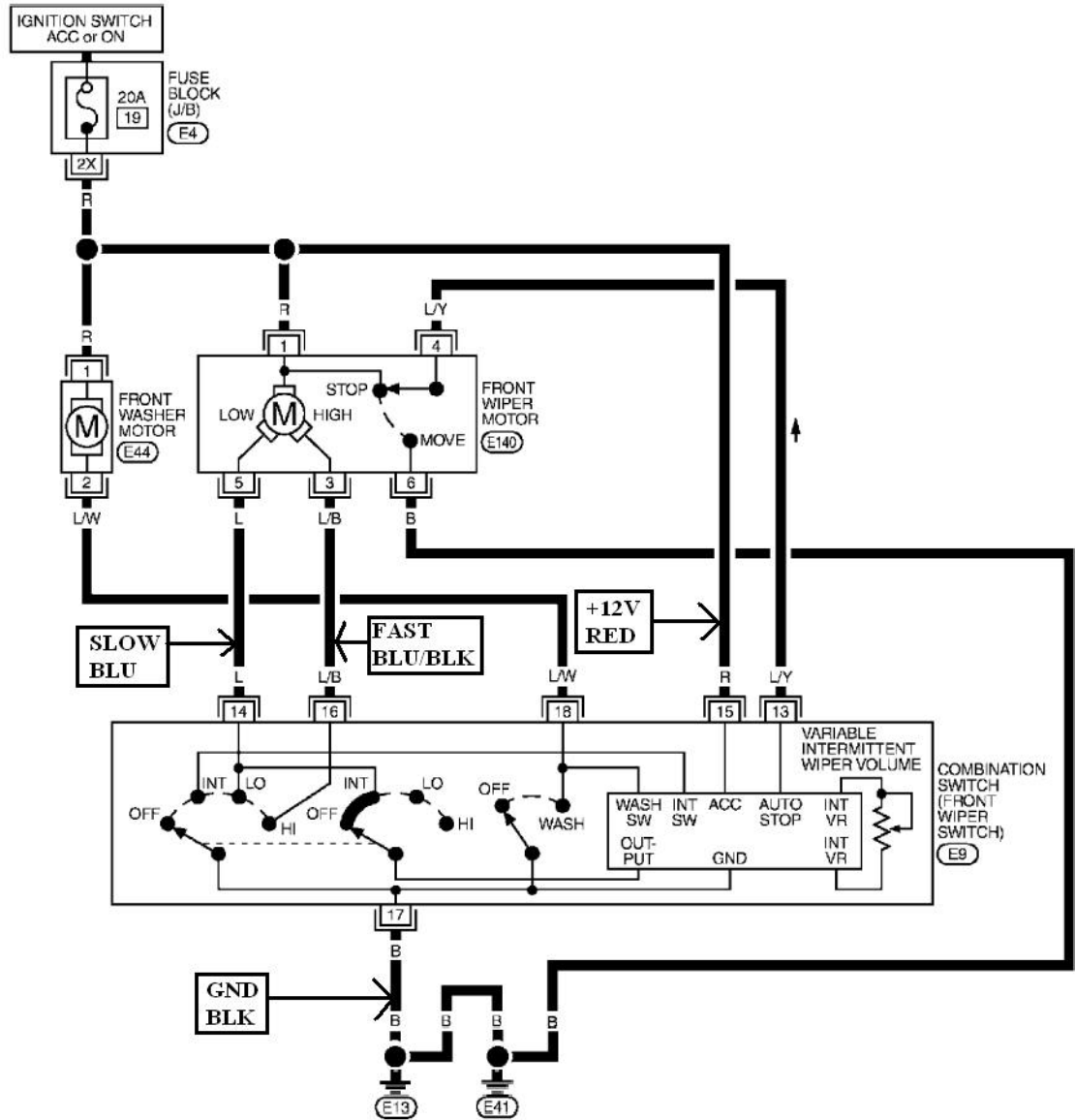


2003 Nissan-Datsun Truck Pathfinder



**GROUND SIDE SWITCHING**  
 WIPERS RUN WHEN GROUND APPLIED TO  
 WIPER MOTOR SLOW OR FAST TERMINALS.  
 MOTOR COMMON AT +12V.

**RainTracker™**  
**VEHICLE INTERFACE**  
**WIRING DIAGRAM**  
 © 2004 OPTO-ELECTRONIC DESIGN, INC