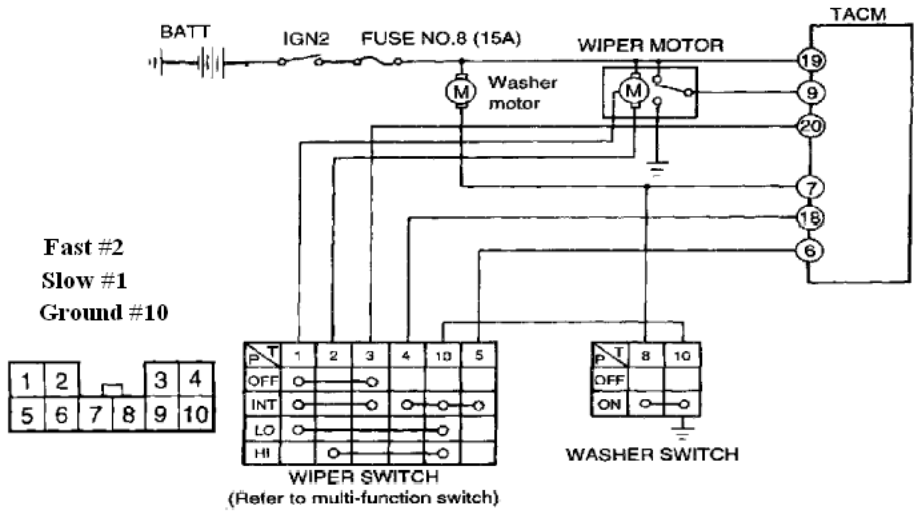


1997 Hyundai Tiburon



GROUND SIDE SWITCHING
 WIPERS RUN WHEN GROUND APPLIED TO
 WIPER MOTOR SLOW OR FAST TERMINALS.
 MOTOR COMMON AT +12V.

Rain Tracker™
VEHICLE INTERFACE
WIRING DIAGRAM
 © 2004 OPTO-ELECTRONIC DESIGN, INC