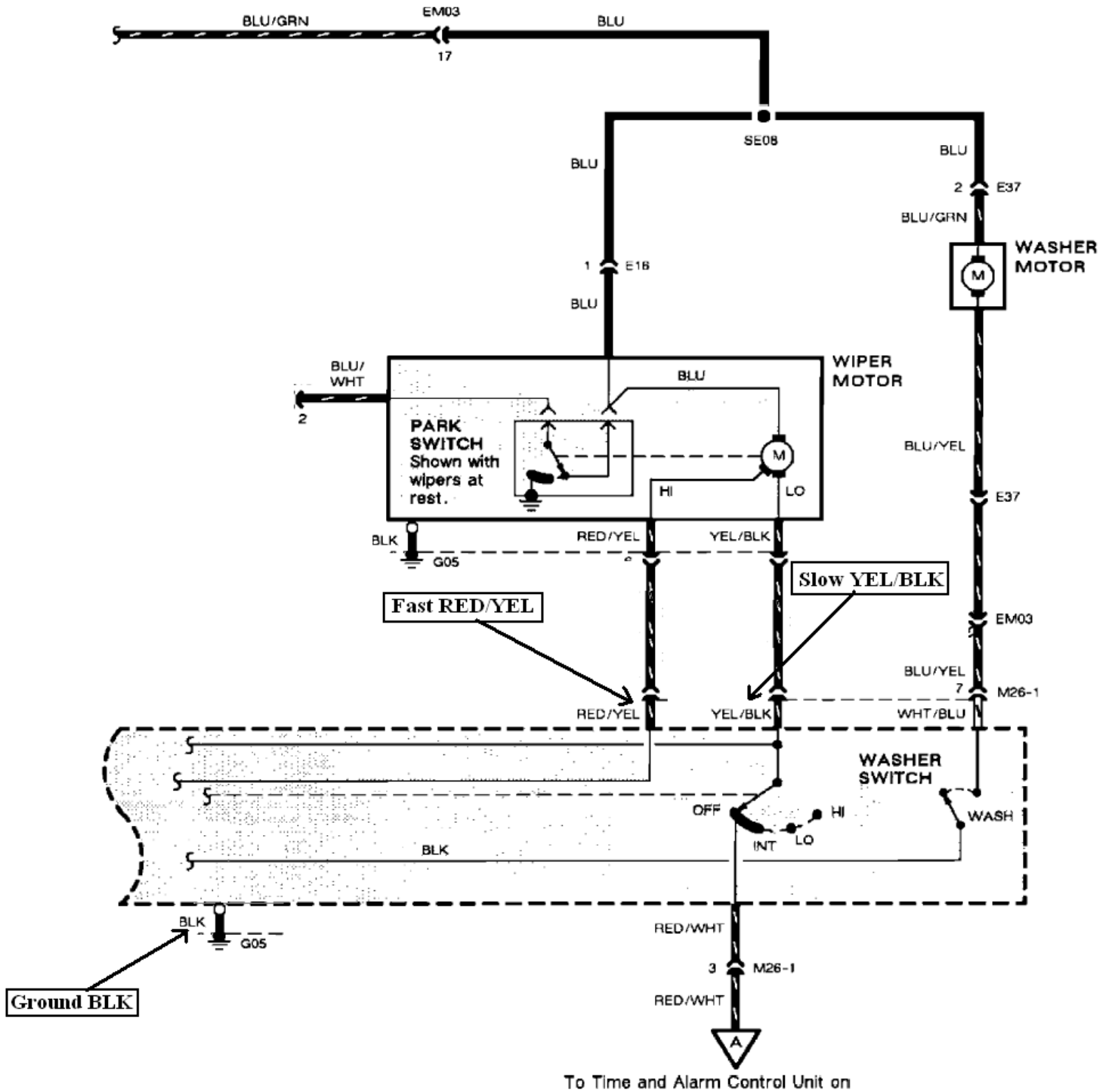


1992 Hyundai Elantra



GROUND SIDE SWITCHING
 WIPERS RUN WHEN GROUND APPLIED TO
 WIPER MOTOR SLOW OR FAST TERMINALS.
 MOTOR COMMON AT +12V.

RainTracker™
VEHICLE INTERFACE
WIRING DIAGRAM

© 2004 OPTO-ELECTRONIC DESIGN, INC